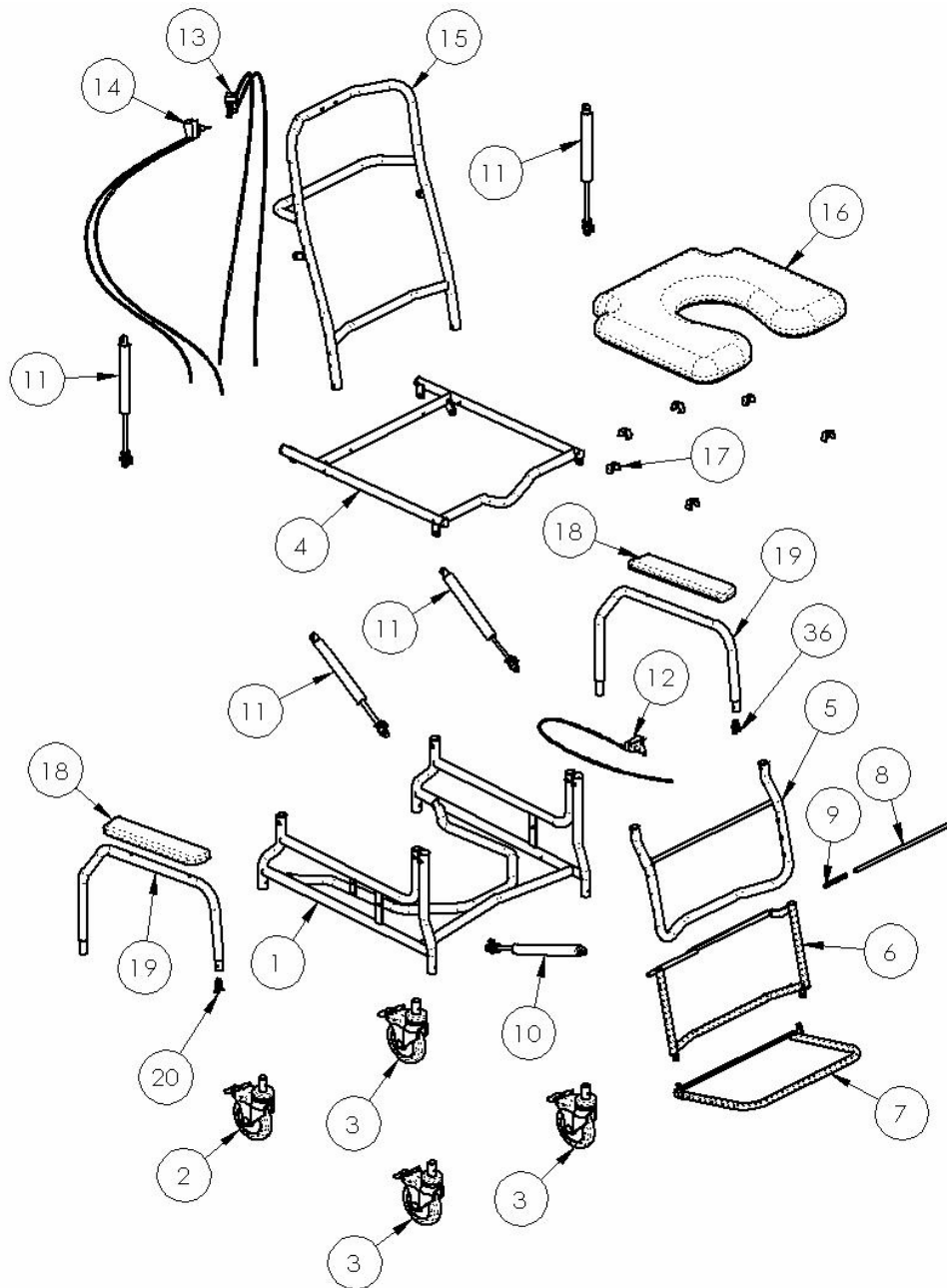


Broda Seating CS 385 Parts Schematic Drawing
May 2006



Broda Seating 385 Phillip St. Waterloo, ON N2L 5R8
Toll free 1-800-668-0637 1-519-746-8080 fax 1-519-746-8616
www.brodaseating.com
A Division of Mity Enterprises

Broda Seating CS 385 Parts Schematic Legend

#	Description	Part Number
1.	Base for commode/shower chair	FPP-CS-BASE00
2.	5" stainless directional lock caster	CASTER5"PD"St/Steel
3.	5" stainless caster total lock	CASTER5"St/Steel
4.	Seat mount for new style commode/shower chair	385 SEAT2
5.	Legrest for commode/shower chair	FPP-CS-LGRT1400
6.	Upper half commode/shower chair footrest	FPP-CS-SFUPPER0
7.	Lower half commode/ shower chair footrest	FPP-CS-SFLOWER0
8.	Rod for commode/shower chair footrest	FPP-CS-FTRTOD
9.	Compression spring for footrest rod	ASFASPRE0000003
10.	Gas spring assembly locking – Specify if Release Head needed	PAB5
11.	Gas spring assembly locking – Specify if Release Head needed	PAB4
12.	Legrest elevation cable assembly (single cable, handle, mounting screw)	PRT-CABLEASSEMBLY
13.	Backrest recline cable assembly (double cable, handle, mounting screw)	PRT-CABHAND2 ASSEMBLY
14.	Seat tilt cable assembly (double cable, handle, mounting screw)	PRT-CABHAND2 ASSEMBLY
15.	Backrest for commode/shower chair	FPP-CS-BACK
16.	Padded seat for commode/shower chair	CS-PD-SEAT
17.	Clips for padded seat	Clips for padded seat
18.	Black armrest with mounting screws	PRT-A-3
19.	Removable armrest for commode/shower chair	FPP-CS-ARM00
20.	Retaining spring for removable arms	ASFASPRO0000000